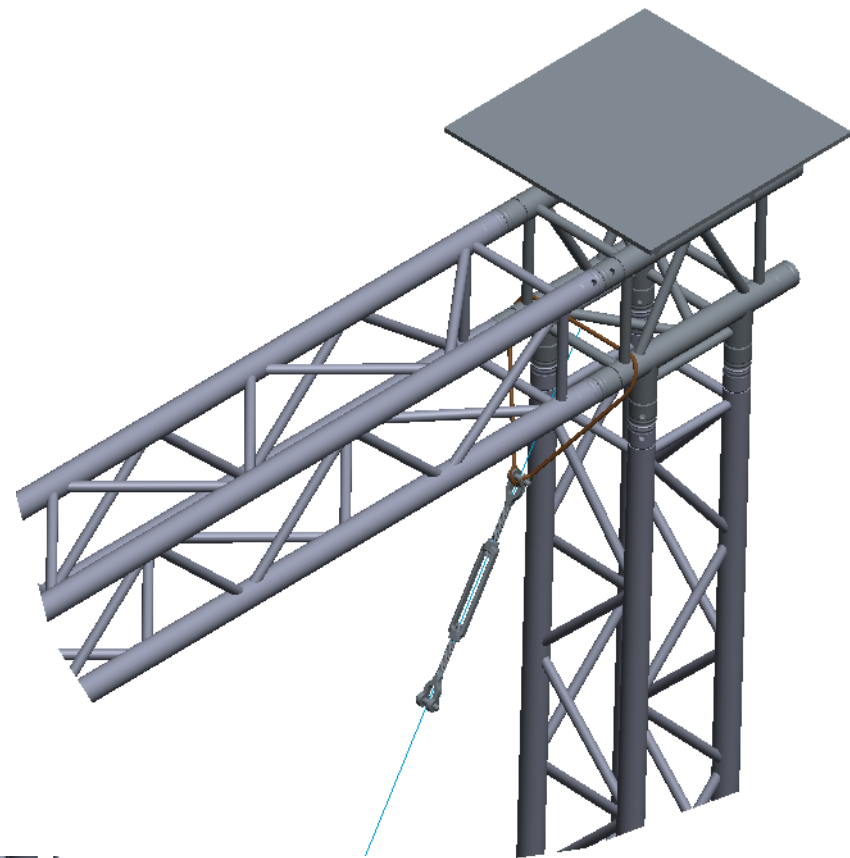
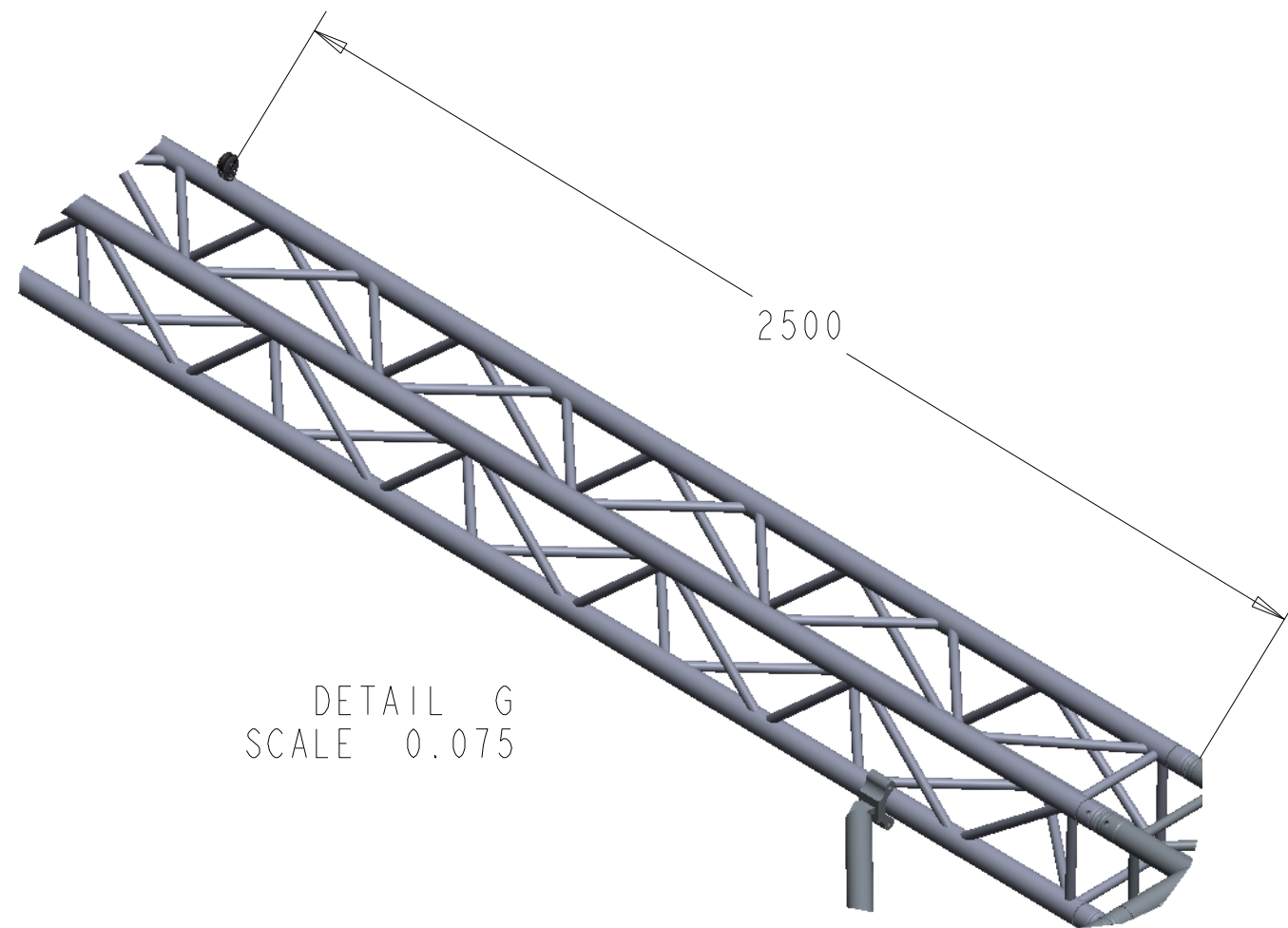


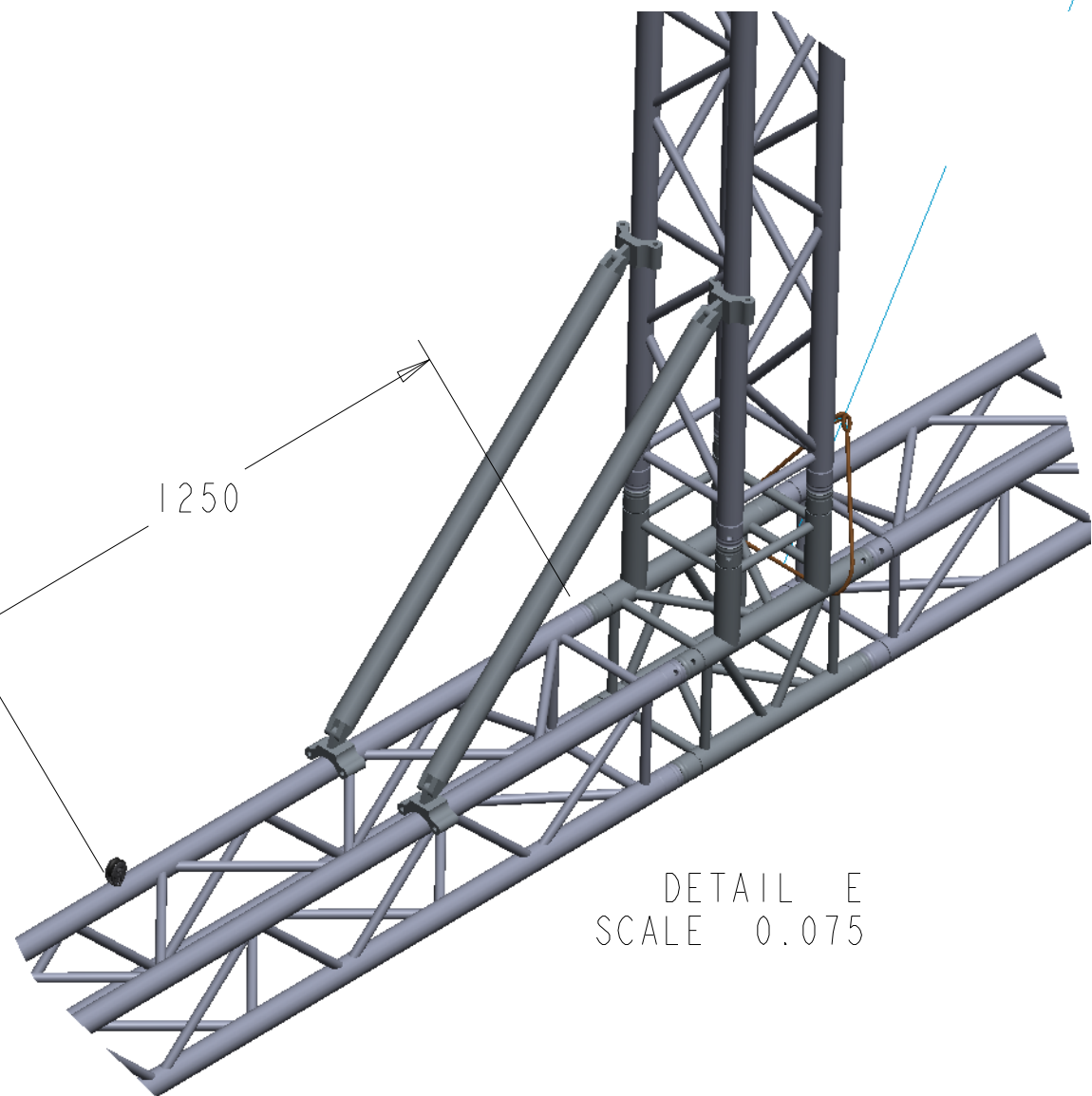
BILL OF MATERIALS		
1	TOW_CUBE_BASE_PORT	1
2	TOW_CUBE_BASE_STB	1
3	TOW_CUBE_LATERAL_12	2
4	3M	4
5	TOW_CUBE_TOP_PORT_W_UP	1
6	TOW_CUBE_TOP_STB_W_UP	1
7	TRACK_SUPPORT	1
8	TRACK_ASM	1
9	TURNING_BLOCK_2148	3
10	ROPE_COLLAR	8
11	TURNBUCKLE_3000T54	4
12	CORNER_SUPPORT	10
13	5_16_X_2_FHSCREW_91771A591	1
14	HD_CLAMP	6
15	PLATE_5_16INCH_IPTX1FT	1
16	PLATE_5_16INCH_IPTX6FT	2



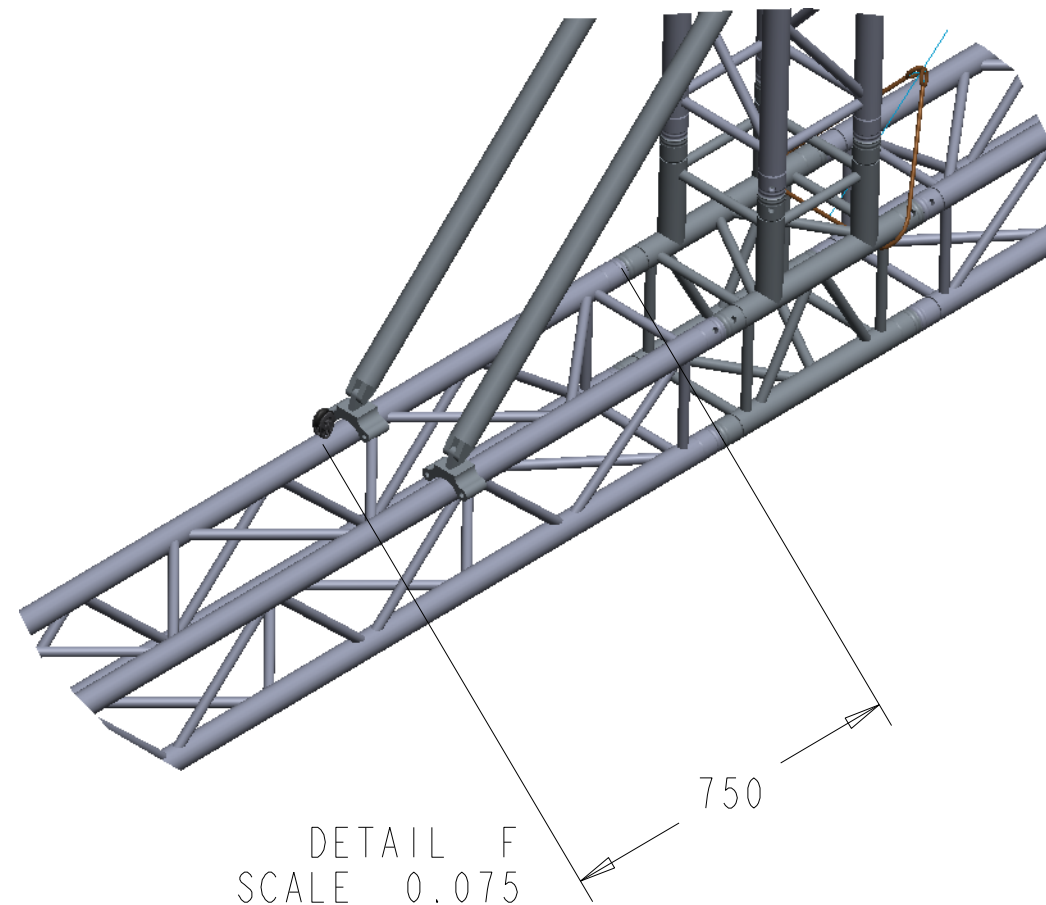
DETAIL D  
SCALE 0.075



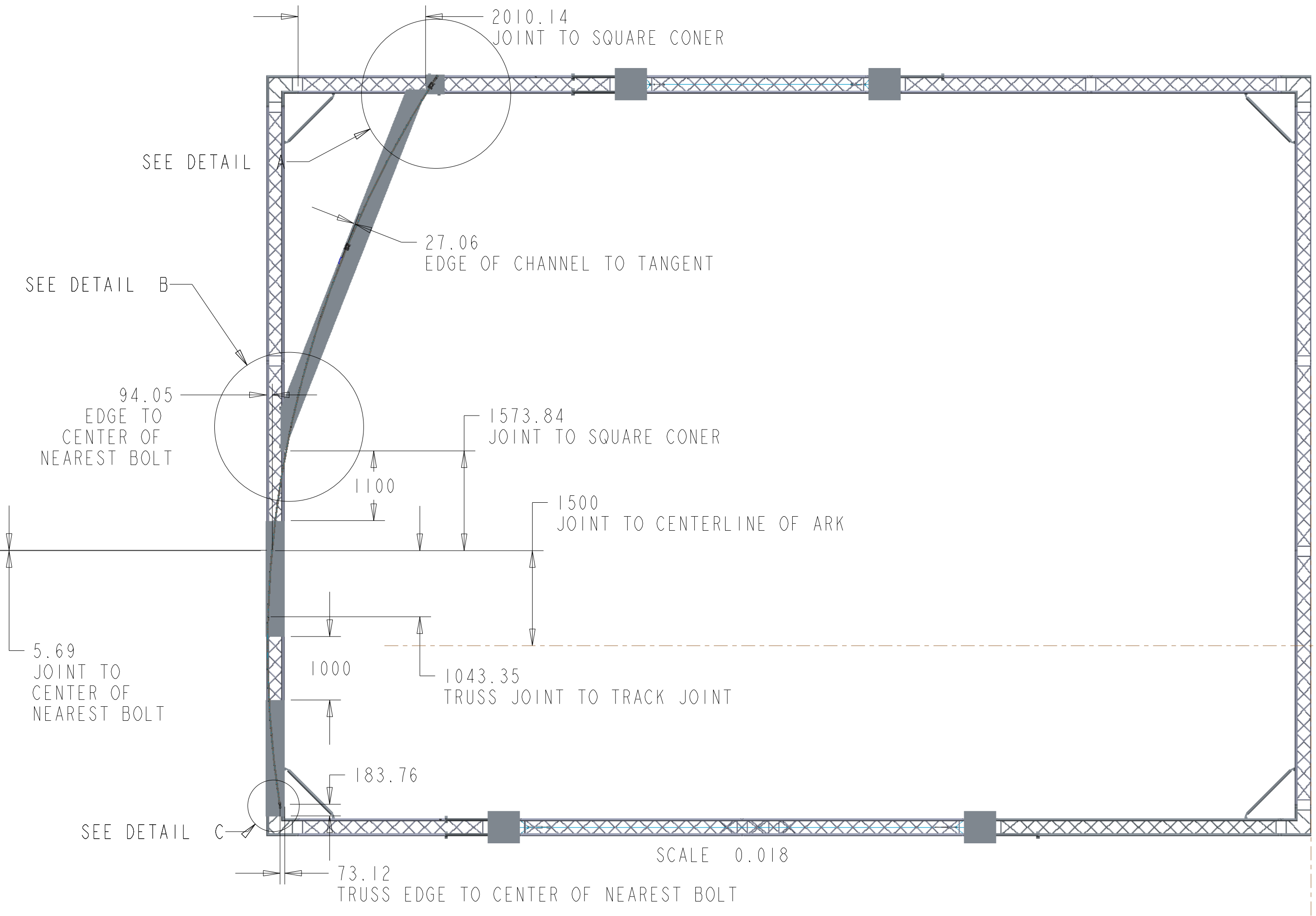
DETAIL G  
SCALE 0.075

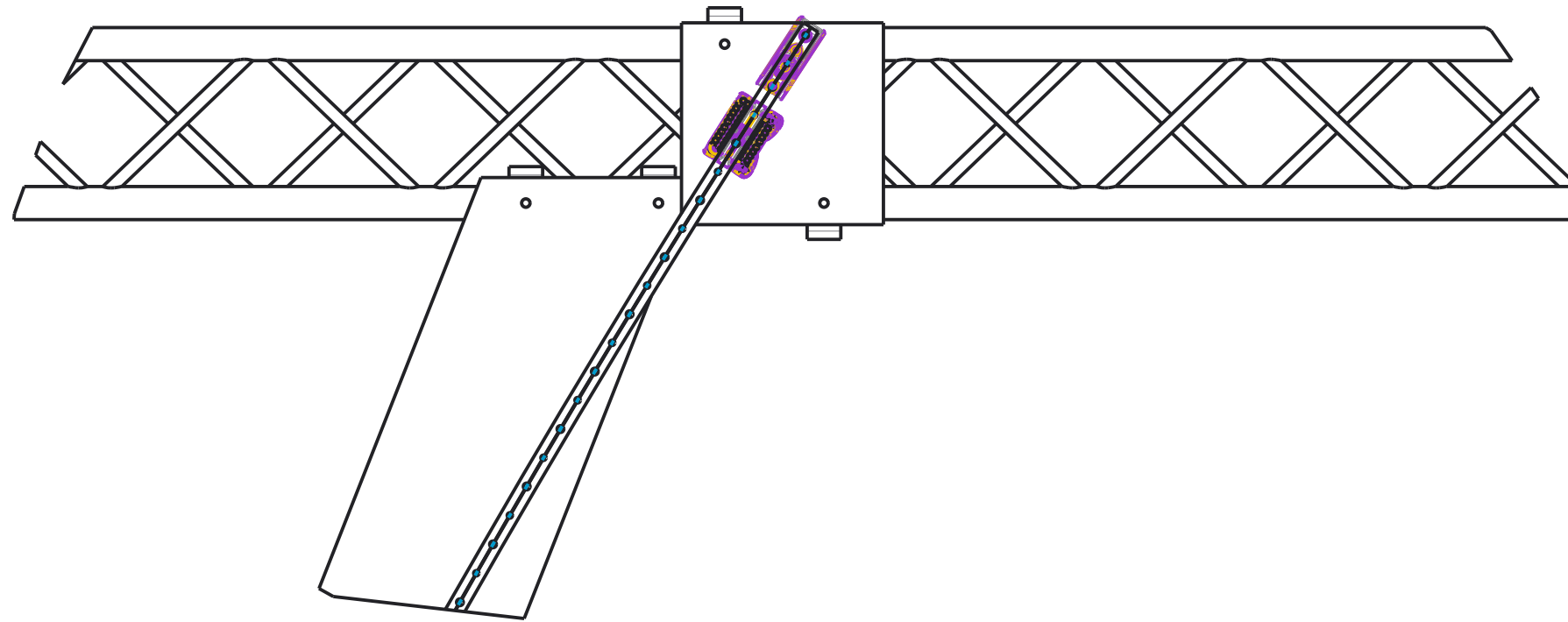


DETAIL E  
SCALE 0.075

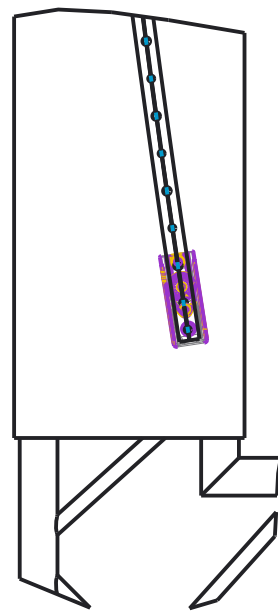


DETAIL F  
SCALE 0.075

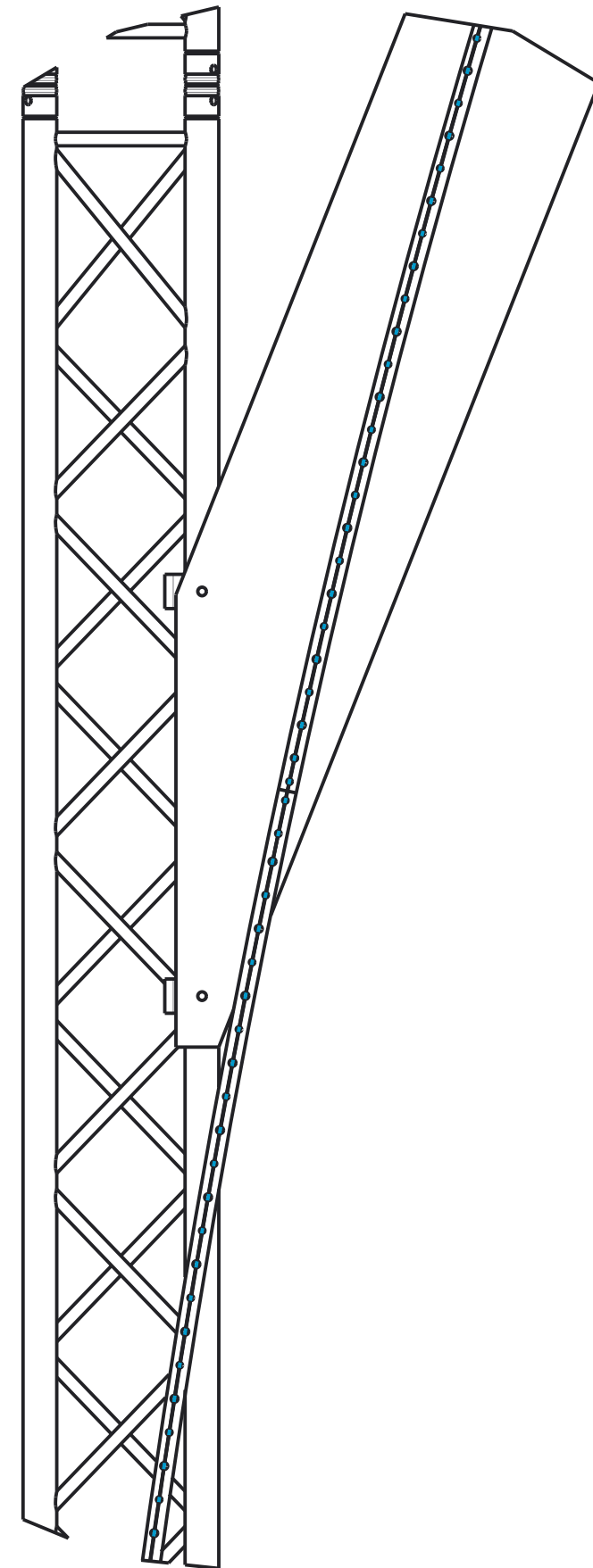




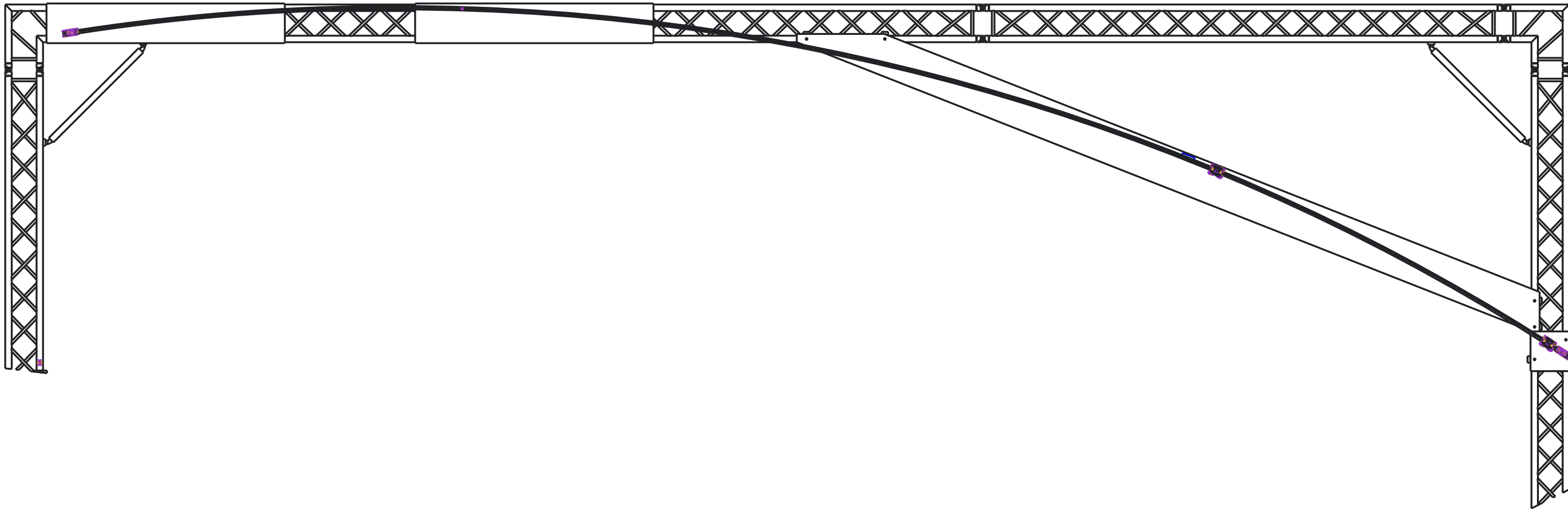
DETAIL A  
SCALE 0.100



DETAIL C  
SCALE 0.100



DETAIL B  
SCALE 0.100



SCALE 0.035